

WINDOW INSTALLATION GUIDE

WARNING

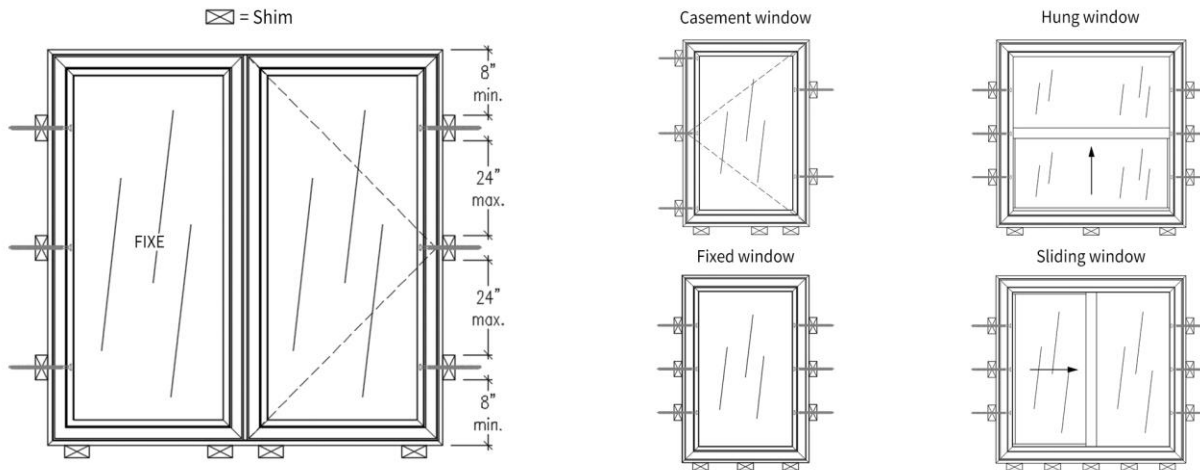
The installation of a window should always be done by a qualified professional and must conform to the industry standard. A non-compliant installation could cause the window to malfunction, cause premature wear and add a risk of water infiltration. Obviously, to honor the warranties, the windows must be installed level, square and plumb.

PREPARATION OF OPENING

Sufficient space should be left around the window, especially at the head, to allow deflections and movements due to thermal and mechanical stress that the window will have to undergo.

SEATING

Seating, squaring and positioning blocks should be sufficient to minimize deflections and distortions of the frame and to allow proper operation of the window. For shim positioning and other information refer to A-440.4-07. **NEVER** place an installation wedge at the top of the window to allow for expansion.



INSTALLATION FEATURES

Windows must be installed leveled, square and plumb so as not to impair the seal and operation of the product. These adjustments must be made when positioning the window in the opening and before finalizing the anchoring.

The window will be considered:

- Leveled when the threshold is level and the vertical curvatures are less than 2mm. (1/16").
- Square when the difference between the diagonals is 2mm. (1/16") for a window with a perimeter of 4m. (13') and less or 3mm. (1/8") for a window with a perimeter of 4m. (13') and more. The width and height measured in the middle of the span must be equal to or less than 1mm. (1/32") in relation to the width and height of the unit.
- Plumb when the misalignment of the head in relation to the threshold is 2mm. (1/16") and less and that the misalignment of the frame is small enough not to compromise the proper functioning of the window.

ATTENTION

For a casement window, before fixing the window in the frame, make sure that the rectifiers (flap and frame) are interlocked into each other to prevent a problem with the opening flap.

The mosquito net is designed to protect from mosquitoes. It is not a protection barrier for your children.

